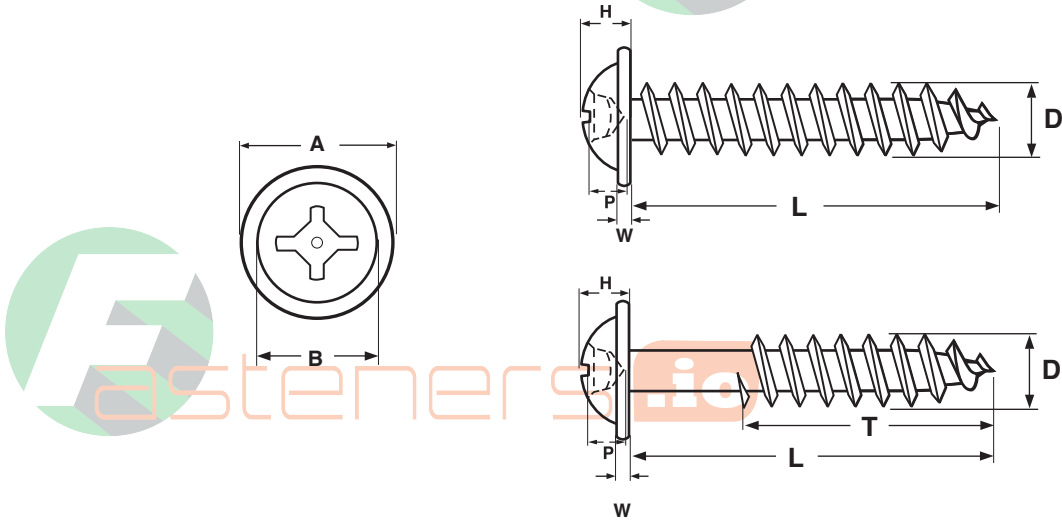


DEEP THREAD **Round Washer Head w/ Square-Phillips Recess**



ROUND WASHER SQUARE/PHILLIPS RECESS DEEP THREAD WOOD SCREW														
Nominal Diameter	A		B	H		P		W		D		T		Recess Size (Square & Phillips)
	Washer Diameter		Head Diameter	Total Head Height		Recess Depth		Washer Thickness		Major Diameter		Threaded Length		
	Max	Min	Ref	Max	Min	Max	Min	Max	Min	Max	Min	L ≤ 1"	L > 1"	
8	0.376	0.352	0.305	0.120	0.110	0.080	0.065	0.050	0.030	0.174	0.164	Full thread	2/3 thread	#2
Tolerance on Length	Up to 5/8"										+0 / -0.03			
	Over 5/8 to 1.5"										+0 / -0.05			
	Over 1.5 to 2.75"										+0 / -0.06			
	Over 2.75 to 5"										+0 / -0.09			

Description	An externally threaded fastener with a dome-shaped head and an integrally formed washer; a recess that can accommodate either a Phillips or Square screwdriver; and a single lead thread. The shank has a reduced diameter.
Applications / Advantages	The deeper thread design offers greater resistance to pull-out forces. The round washer head is preferable in softer woods and offers a greater bearing surface than a countersunk design. Used to attach surface-mounted door hinges or master lock hasps into dense woods or when attaching two pieces of wood through a pocket hole.
Material	C1022 case-hardened steel
Surface Hardness	Rockwell C 45 minimum
Case Depth	0.004" - 0.009"
Torque	35 kg/cm minimum
Plating	See Appendix-A for plating information