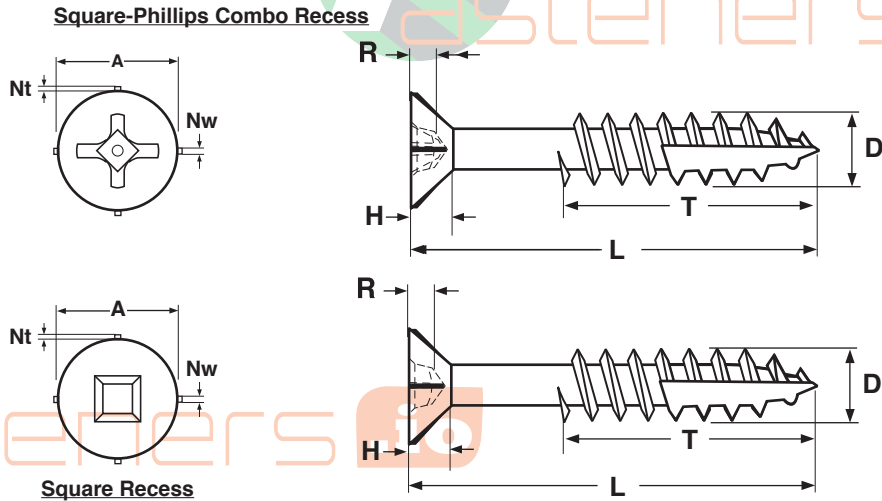


#9 Screw w/ #8 Flat Head w/ Combo Phillips/Square Recess **TYPE-17 DEEP THREAD**



#9 DEEP THREAD WOOD SCREW—TYPE-17 WITH #8 FLAT HEAD WITH NIBS												
Nominal Diameter	A		H	Nw	Nt	R		D		T		Phillips & Square Driver Size
	Head Diameter		Head Height	Nib Width	Nib Thickness	Square Recess Penetration Depth		Major Diameter		Threaded Length		
	Max	Min	Ref	Ref	Ref	Max	Min	Max	Min	L ≤ 1"	L > 1"	
9	0.312	0.285	0.100	0.022	0.013	0.080	0.048	0.181	0.174	Full thread	2/3 thread	# 2
Tolerance on Length	Up to 5/8"						+0 / -0.03					
	Over 5/8 to 1.5"						+0 / -0.05					
	Over 1.5 to 2.75"						+0 / -0.06					
	Over 2.75 to 5"						+0 / -0.09					

Description	An externally threaded fastener with a countersunk head, crossed recess that will also accept a square driver bit, a single lead thread and a shank with a reduced diameter. The head diameter is 90% its normal size. The nibs on the underside of the head aid in the countersinking process by removing additional material. The shank has a reduced diameter and a chip cavity cut out where the final several threads end at the tip.
Applications / Advantages	The deeper thread design offers greater resistance to pull-out forces. The nibs on the bearing surface of the head helps the screw seat flush. The type-17 point enables faster starting. The recess design allows for multiple drive tools. Popular use is in cabinet assembly.
Material	C1022 case-hardened steel
Surface Hardness	Rockwell C 45 minimim
Case Depth	0.004" - 0.009"
Torque	
Plating	See Appendix-A for plating information