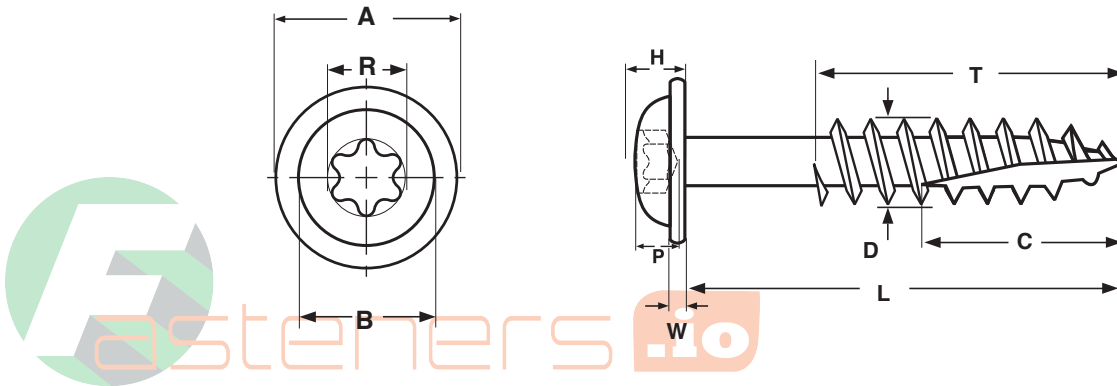


**LONG TYPE-17 DEEP THREAD** Round Washer Head w/ Six-Lobe Recess



ROUND WASHER SIX-LOBE RECESS DEEP THREAD WOOD SCREW W/ LONG TYPE-17 PT.																
Nominal Diameter	A		W		B	H		P	R	D		C	T		Recess Size	
	Washer Diameter		Washer Thickness		Crown Diam.	Total Head Height		Recess Depth	Recess Diam.	Major Diameter		Cut Point Length	Threaded Length			
	Max	Min	Max	Min	Ref	Max	Min	Min	Ref	Max	Min	Ref	L ≤ 1"	L > 1"		
10	0.500	0.472	0.045	0.033	0.300	0.115	0.095	0.050	0.179	0.194	0.185	0.472	Full Thread	Partial Thread	T25	
Tolerance on Length	Up to 5/8"										± 0.03					
	Over 5/8 to 1.5"										± 0.05					
	Over 1.5 to 2.75"										± 0.06					
	Over 2.75 to 5"										± 0.09					

<b>Description</b>	An externally threaded fastener with a dome-shaped head and an integrally formed washer; a recess that can accommodate a Six-lobe screwdriver; and a single lead thread. The shank has a reduced diameter and a chip cavity cut out where the final several threads, ending at the tip that is 30% to 50% longer than a normal Type-17 point.
<b>Applications / Advantages</b>	The deeper thread design offers greater resistance to pull-out forces. The round washer head is preferable in softer woods and offers a greater bearing surface than a countersunk design. The extra long chip cavity is preferable for use in thicker woods when a greater amount of material will be displaced.
<b>Material</b>	C1018 - C1022 case-hardened steel
<b>Surface Hardness</b>	Rockwell C 45 minimum
<b>Case Depth</b>	0.004" - 0.009"
<b>Torque</b>	45 kg/cm minimum
<b>Plating</b>	See Appendix-A for plating information