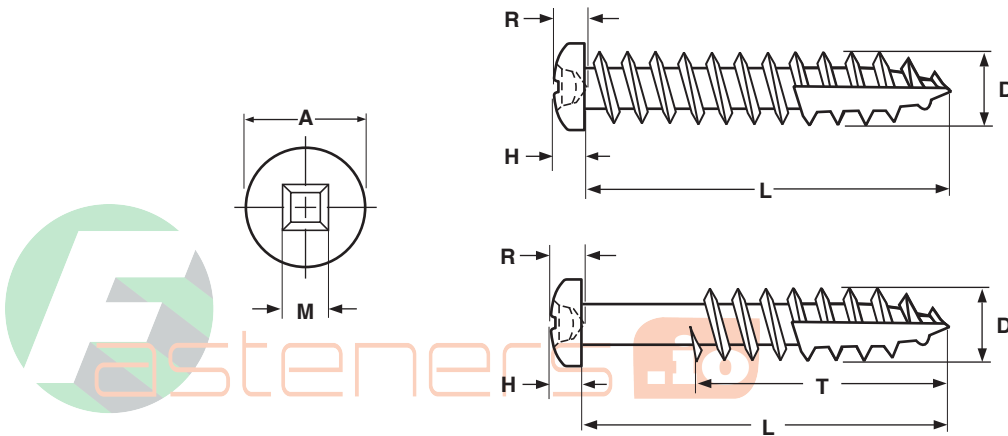


Pan Head w/ Square Recess **TYPE-17 DEEP THREAD**



PAN SQUARE RECESS DEEP THREAD WOOD SCREW WITH TYPE-17 POINT												
Nominal Diameter	A		H		R		M	D		T		Recess Size
	Head Diameter		Head Height		Recess Depth		Recess Diameter	Major Diameter		Threaded Length		
	Max	Min	Max	Min	Max	Min	Ref	Max	Min	L ≤ 1"	L > 1"	
6	0.270	0.256	0.108	0.093	0.065	0.050	0.091	0.142	0.131	Full thread	2/3 thread	#1
7	0.296	0.281	0.111	0.099	0.065	0.050	0.091	0.158	0.147	Full thread	2/3 thread	#1
8	0.322	0.306	0.124	0.110	0.075	0.060	0.112	0.169	0.159	Full thread	2/3 thread	#2
Tolerance on Length	Up to 5/8"								+0 / -0.03			
	Over 5/8 to 1.5"								+0 / -0.05			
	Over 1.5 to 2.75"								+0 / -0.06			
	Over 2.75 to 5"								+0 / -0.09			

Description	An externally threaded fastener with a dome-shaped head, square recess and a single lead thread. The shank has a reduced diameter and a chip cavity cut out where the final several threads, ending at the tip. Square recess is preferred in many overhead installations.	
Applications / Advantages	The deeper thread design offers greater resistance to pull-out forces as compared to standard wood screws. Popular in fastening cabinet hardware.	Used in environments where corrosion resistance is necessary. The type-17 point enables the screw to more easily penetrate the material into which it's fastened. Can be used in particle board, wood and some plastics.
Material	C1018 - 1022 case-hardened steel	18-8 Stainless Steel
Surface Hardness	Vickers 450 HV minimum	-
Case Depth	0.004" - 0.009"	-
Plating	See Appendix-A for plating information	Stainless deep thread screws are usually supplied without additional finish.