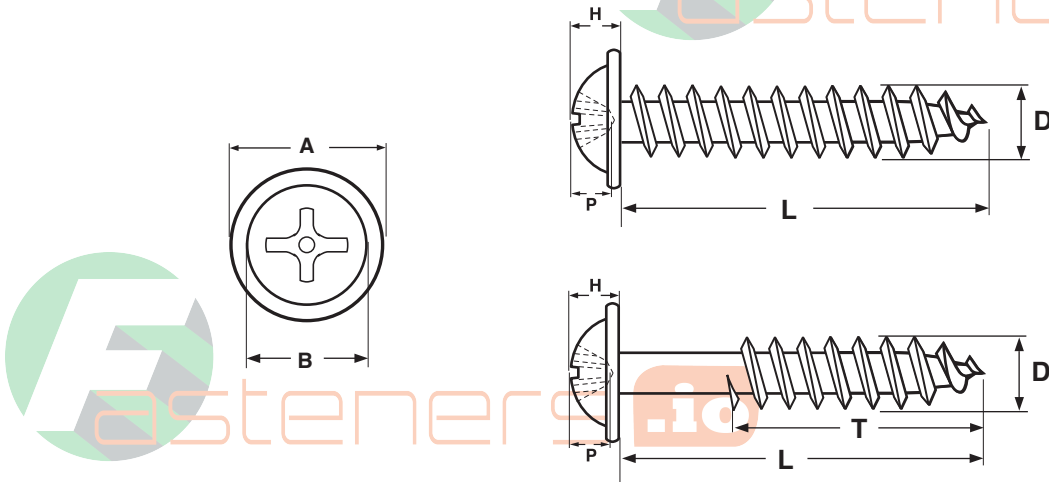


**DEEP THREAD** Round Washer Head w/  
Phillips Recess



ROUND WASHER PHILLIPS RECESS DEEP THREAD WOOD SCREW												
Nominal Diameter	A		B	H		P		D		T		Recess Size
	Washer Diameter		Head Diameter	Total Head Height		Recess Depth		Major Diameter		Threaded Length		
	Max	Min	Ref	Max	Min	Max	Min	Max	Min	L ≤ 1"	L > 1"	
8	0.380	0.358	0.259	0.113	0.101	0.076	0.048	0.169	0.159	Full thread	2/3 thread	#2
Tolerance on Length	Up to 5/8"									+0 / -0.03		
	Over 5/8 to 1.5"									+0 / -0.05		
	Over 1.5 to 2.75"									+0 / -0.06		
	Over 2.75 to 5"									+0 / -0.09		

<b>Description</b>	An externally threaded fastener with a dome-shaped head and an integrally formed washer; a recess that can accommodate a Phillips screwdriver; and a single lead thread. The shank has a reduced diameter.
<b>Applications / Advantages</b>	The deeper thread design offers greater resistance to pull-out forces. The round washer head is preferable in softer woods and offers a greater bearing surface than a countersunk design. It is superior to countersunk or pan heads at pulling material together.
<b>Material</b>	C1022 case-hardened steel
<b>Surface Hardness</b>	Rockwell C 45 minimum
<b>Case Depth</b>	0.004" - 0.009"
<b>Torque</b>	#8 Diameter: 35 kg/cm minimum #10 Diameter: 50 kg/cm minimum
<b>Plating</b>	See Appendix-A for plating information