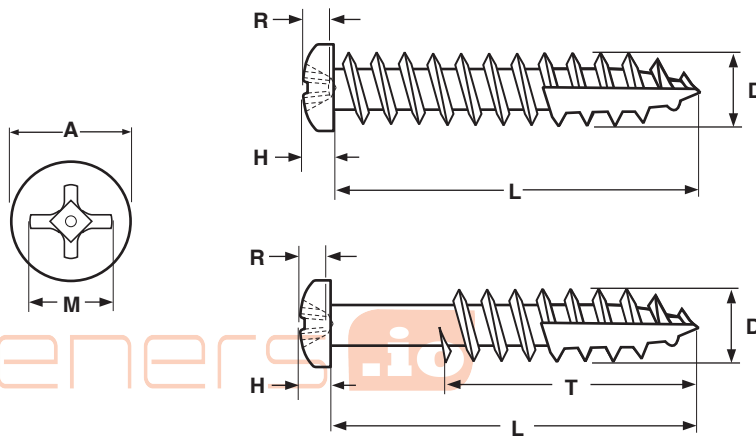


Pan Head w/
Phillips Recess

TYPE-17 DEEP THREAD



PAN PHILLIPS RECESS DEEP THREAD WOOD SCREW WITH TYPE-17 POINT

Nominal Diameter & Threads per Inch	A		H		R		M	D		T		Torque Kg/cm (Steel screws)	Recess Size
	Head Diameter		Head Height		Recess Penetration Depth		Recess Diameter	Major Diameter		Threaded Length			
	Max	Min	Max	Min	Max	Min	Ref	Max	Min	L ≤ 1"	L > 1"	Min	
6-13	0.270	0.256	0.097	0.087	0.080	0.055	0.159	0.142	0.131	Full thread	2/3 thread	21	#2
7-12	0.296	0.281	0.106	0.096	0.089	0.064	0.170	0.158	0.147	Full thread	2/3 thread	28	#2
8-11	0.322	0.306	0.115	0.105	0.097	0.071	0.175	0.169	0.159	Full thread	2/3 thread	37	#2
10-9	0.373	0.357	0.133	0.122	0.113	0.089	0.192	0.194	0.185	Full thread	2/3 thread	55	#2
12-8	0.425	0.407	0.151	0.139	0.124	0.098	0.252	0.230	0.213	Full thread	2/3 thread	64	#3

Tolerance on Length

Up to 5/8"

± 0.03

Over 5/8 to 1.5"

± 0.05

Over 1.5 to 2.75"

± 0.06

Over 2.75"

± 0.09

Description	An externally threaded fastener with a dome-shaped head, cross recess and a single lead thread. The shank has a reduced diameter and a chip cavity cut out where the final several threads end at the tip.	
Applications / Advantages	The deeper thread design offers greater resistance to pull-out forces. Popular in fastening cabinet hardware in locations that do not require the head to countersink. The chip cavity (or auger point) are designed to attach hinges to the edge of hardwood face frames.	Used in environments where corrosion resistance is necessary. The type-17 point enables the screw to more easily penetrate the material into which it's fastened. Can be used in particle board, wood and some plastics.
Material	C1018 - 1022 case-hardened steel	18-8 Stainless Steel
Surface Hardness	Vickers 450 HV minimum	-
Case Depth	0.004" - 0.009"	-
Torque	See values in above table	-
Plating	See Appendix-A for plating information	Stainless deep thread screws are usually supplied without additional finish.