

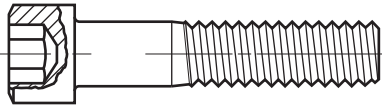
SOCKET HEAD CAP SCREWS

ASME B18.3-2012

Basic Screw Diam.	D		A		H		C	J	F		T	G	K
	Body Diameter		Head Diameter		Head Height		Top Chamfer or Radius	Hex Socket Size	Fillet Juncture Diameter at Bearing Surface		Key Engagement	Wall Thickness	Bottom Chamfer or Radius
	Max	Min	Max	Min	Max	Min	Max	Nom	Max	Min	Min	Min	Max
0	0.0600	0.0568	0.096	0.091	0.060	0.057	0.004	0.050	0.074	0.062	0.025	0.020	0.007
1	0.0730	0.0695	0.118	0.112	0.073	0.070	0.005	1/16	0.087	0.075	0.031	0.025	0.007
2	0.0860	0.0822	0.140	0.134	0.086	0.083	0.008	5/64	0.102	0.090	0.038	0.029	0.007
3	0.0990	0.0949	0.161	0.154	0.099	0.095	0.008	5/64	0.115	0.102	0.044	0.034	0.007
4	0.1120	0.1075	0.183	0.176	0.112	0.108	0.009	3/32	0.130	0.117	0.051	0.038	0.008
5	0.1250	0.1202	0.205	0.198	0.125	0.121	0.012	3/32	0.145	0.132	0.057	0.043	0.008
6	0.1380	0.1329	0.226	0.218	0.138	0.134	0.013	7/64	0.158	0.144	0.064	0.047	0.008
8	0.1640	0.1585	0.270	0.262	0.164	0.159	0.014	9/64	0.188	0.172	0.077	0.056	0.008
10	0.1900	0.1840	0.312	0.303	0.190	0.185	0.018	5/32	0.218	0.202	0.090	0.065	0.008
1/4	0.2500	0.2435	0.375	0.365	0.250	0.244	0.025	3/16	0.278	0.261	0.120	0.095	0.010
5/16	0.3125	0.3053	0.469	0.457	0.312	0.306	0.033	1/4	0.347	0.329	0.151	0.119	0.010
3/8	0.3750	0.3678	0.562	0.550	0.375	0.368	0.040	5/16	0.415	0.397	0.182	0.143	0.010
7/16	0.4375	0.4294	0.656	0.642	0.438	0.430	0.047	3/8	0.484	0.465	0.213	0.166	0.015
1/2	0.5000	0.4919	0.750	0.735	0.500	0.492	0.055	3/8	0.552	0.531	0.245	0.190	0.015
5/8	0.6250	0.6163	0.938	0.921	0.625	0.616	0.070	1/2	0.689	0.664	0.307	0.238	0.015
3/4	0.7500	0.7406	1.125	1.107	0.750	0.740	0.085	5/8	0.828	0.800	0.370	0.285	0.015
7/8	0.8750	0.8647	1.312	1.293	0.875	0.864	0.100	3/4	0.963	0.932	0.432	0.333	0.020
1	1.0000	0.9886	1.500	1.479	1.000	0.988	0.114	3/4	1.100	1.068	0.495	0.380	0.020
1 1/4	1.2500	1.2336	1.875	1.852	1.250	1.236	0.144	7/8	1.370	1.333	0.620	0.475	0.020
1 1/2	1.5000	1.4818	2.250	2.224	1.500	1.485	0.176	1	1.640	1.601	0.745	0.570	0.020

Tolerance on Length	Nominal Screw Size	Nominal Screw Length			
		Up to 1 in., Incl.	Over 1 in. to 2-1/2 in., Incl.	Over 2-1/2 to 6 in., Incl.	Over 6 in.
	0 thru 3/8, Incl.	-0.03	-0.04	-0.06	-0.12
	7/16 thru 3/4, Incl.	-0.03	-0.06	-0.08	-0.12
7/8 thru 1-1/2, Incl.	-0.05	-0.10	-0.14	-0.20	

SOCKET CAP SCREWS Alloy Steel



MECHANICAL PROPERTIES OF ALLOY STEEL SOCKET CAP SCREWS							Blue Devil®	
Nominal Size	Tensile Strength (lbs., min.)		Yield Strength (lbs., min.)		Body Section	Tightening Torque (In.-Lbs.)		
	UNRC	UNRF	UNRC	UNRF	Single Shear Strength (lbs., min.)	UNRC	UNRF	
0	-	320	-	290	305	-	2.6	
1	475	500	425	450	450	4.5	4.8	
2	665	710	600	635	625	7.5	8.0	
3	875	940	790	845	830	11.0	12.0	
4	1,090	1,190	975	1,070	1,060	16.0	18.0	
5	1,430	1,490	1,290	1,345	1,325	24.0	24.0	
6	1,640	1,825	1,470	1,645	1,615	30.0	34.0	
8	2,520	2,650	2,270	2,385	2,280	55.0	58.0	
10	3,150	3,600	2,835	3,240	3,060	79.0	90.0	
1/4	5,725	6,550	5,150	5,900	5,295	200.0	230.0	
5/16	9,430	10,440	8,490	9,395	8,285	415.0	460.0	
3/8	13,950	15,805	12,555	14,225	11,910	740.0	845.0	
7/16	19,135	21,365	17,220	19,230	16,200	1190.0	1305.0	
1/2	25,540	28,780	22,990	25,905	21,175	1800.0	2065.0	
5/8	38,400	43,500	34,550	39,150	31,300	3,400.0	3,800.0	
3/4	56,750	63,400	51,100	57,050	45,050	6,000.0	6,750.0	
7/8	78,500	86,500	70,700	77,850	61,350	8250.0	9,200.0	
1	103,000	112,700	92,700	101,450	80,100	12,500.0	13,000.0	
1 1/4	164,700	182,400	148,250	164,150	125,100	25,000.0	27,750.0	
1 1/2	238,800	268,800	215,950	241,900	180,200	43,500.0	49,000.0	

Description	An externally threaded fastener with unified threads, a cylindrical head with a flat chamfered top surface, knurled cylindrical sides and hexagonal recess, made from alloy steel.
Applications/ Advantages	Ideal for precision assembly work with close tolerances and applications needing a well tooled appearance. Supplies greater tensile strength than equivalent sizes of Grade-5 or Grade-8 hex head cap screws while requiring less surface area or counterbore since the fastener is internally wrenched.
Material	Cap screws shall be made from an alloy steel which conforms to the following chemical composition requirements (per product analysis)-- Carbon: 0.31% minimum; Phosphorus: 0.040% maximum; Sulfur: 0.045% maximum. Also, one or more of the following elements shall be present in sufficient quantity to meet the strength requirements listed below: chromium, nickel, molybdenum or vanadium.
Heat Treatment	Cap screws shall be heat treated by oil quenching from above the transformation temperature and then tempered at a temperature not lower than 650°F.
Hardness	0 through 1/2" diameters: Rockwell C39 minimum; 5/8" diameter & larger: Rockwell C37 minimum
<i>Cap screws of a length 3D or greater, where D equals the nominal diameter of the screw, are subject to tensile strength, yield strength, elongation and reduction of area testing.</i>	
Tensile Strength	0 through 1/2" diameters: 180,000 psi. minimum; 5/8" diameter & larger: 170,000 psi. minimum
Yield Strength	0 through 1/2" diameters: 162,000 psi. minimum; 5/8" diameter & larger: 153,000 psi. minimum
Elongation	10% minimum (applies to machined specimens of length at least 4D where D equals the nominal diameter of the screw)
Reduction of Area	33% minimum (applies to machined specimens)
Plating	See Appendix-A for information on the plating of alloy steel socket cap screws.

Blue Devil® is a registered trademark of the Safety Socket Screw Corporation.

SOCKET CAP SCREWS

Length Specifications

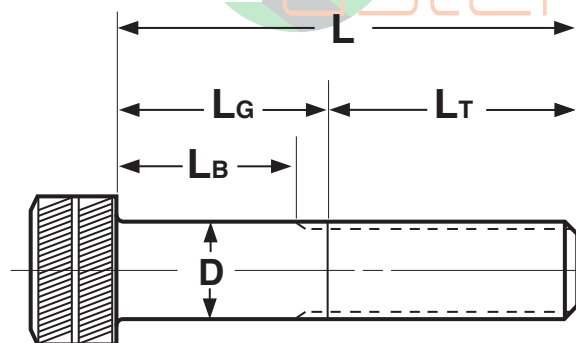


BODY AND GRIP LENGTHS OF SOCKET HEAD CAP SCREWS																			ASME B18.3-2012	
Nom. Size D	0		1		2		3		4		5		6		8		10			
Basic Thread Length L _T	0.500		0.625		0.625		0.625		0.750		0.750		0.750		0.875		0.875			
Nominal Length L	L _G	L _B	L _G	L _B	L _G	L _B	L _G	L _B	L _G	L _B	L _G	L _B	L _G	L _B	L _G	L _B	L _G	L _B		
1.00	0.50	0.44	0.25	0.17	0.25	0.16	0.25	0.15	0.25	0.12	0.25	0.12								
1.25	0.75	0.69	0.62	0.55	0.62	0.54	0.62	0.52	0.25	0.12	0.25	0.12	0.50	0.34	0.38	0.22	0.38	0.17		
1.50			0.88	0.80	0.88	0.79	0.88	0.77	0.75	0.62	0.75	0.62	0.50	0.34	0.38	0.22	0.38	0.17		
1.75					1.12	1.04	1.12	1.02	0.75	0.62	0.75	0.62	1.00	0.84	0.88	0.72	0.88	0.67		
2.00							1.38	1.27	1.25	1.12	1.25	1.12	1.00	0.84	0.88	0.72	0.88	0.67		
2.25									1.25	1.12	1.25	1.12	1.50	1.34	1.38	1.22	1.38	1.17		
2.50											1.75	1.62	1.50	1.34	1.38	1.22	1.38	1.17		
2.75													2.00	1.84	1.88	1.72	1.88	1.67		
3.00															1.88	1.72	1.88	1.67		
3.50																	2.38	2.17		

Nom. Size D	1/4		5/16		3/8		7/16		1/2		5/8		3/4		7/8		1	
Basic Thread Length L _T	1.000		1.125		1.250		1.375		1.500		1.750		2.000		2.250		2.500	
Nominal Length L	L _G	L _B	L _G	L _B	L _G	L _B	L _G	L _B	L _G	L _B	L _G	L _B	L _G	L _B	L _G	L _B	L _G	L _B
1.50	0.50	0.25																
1.75	0.50	0.25	0.62	0.35	0.50	0.19												
2.00	1.00	0.75	0.62	0.35	0.50	0.19	0.62	0.27										
2.25	1.00	0.75	1.12	0.85	1.00	0.69	0.62	0.27	0.75	0.36								
2.50	1.50	1.25	1.12	0.85	1.00	0.69	1.12	0.77	0.75	0.36	0.75	0.30						
2.75	1.50	1.25	1.62	1.35	1.50	1.19	1.12	0.77	0.75	0.36	0.75	0.30						
3.00	2.00	1.75	1.62	1.35	1.50	1.19	1.62	1.27	1.50	1.12	0.75	0.30	1.00	0.50				
3.25	2.00	1.75	2.12	1.85	2.00	1.69	1.62	1.27	1.50	1.12	1.50	1.04	1.00	0.50	1.00	0.44		
3.50	2.50	2.25	2.12	1.85	2.00	1.69	2.12	1.77	1.50	1.12	1.50	1.04	1.00	0.50	1.00	0.44	1.00	0.38
4.00	3.00	2.75	2.62	2.35	2.50	2.19	2.62	2.27	2.25	1.86	2.25	1.80	2.00	1.50	1.00	0.44	1.00	0.38
4.50	3.50	3.25	3.12	2.85	3.00	2.69	3.12	2.77	3.00	2.62	2.25	1.80	2.00	1.50	2.00	1.44	2.00	1.38
5.00	4.00	3.75	3.62	3.35	3.50	3.19	3.62	3.27	3.00	2.62	3.00	2.54	3.00	2.50	2.00	1.44	2.00	1.38
5.50			4.12	3.85	4.00	3.69	4.12	3.77	3.75	3.36	3.75	3.30	3.00	2.50	3.00	2.44	3.00	2.38
6.00			4.62	4.35	4.50	4.19	4.62	4.27	4.50	4.12	3.75	3.30	4.00	3.50	3.00	2.44	3.00	2.38
6.50					5.00	4.69	5.12	4.77	4.50	4.12	4.50	4.04	4.00	3.50	4.00	3.44	4.00	3.38
7.00					5.50	5.19	5.62	5.27	5.25	4.86	5.25	4.80	5.00	4.50	4.00	3.44	4.00	3.38
8.00							6.62	6.27	6.00	5.62	6.00	5.54	6.00	5.50	5.00	4.44	5.00	4.38
9.00							7.62	7.27	7.00	6.62	6.75	6.30	7.00	6.50	6.00	5.44	6.00	5.38
10.00									8.00	7.62	7.75	7.30	8.00	7.50	7.00	6.44	7.00	6.38
11.00											9.25	8.80	9.00	8.50	8.00	7.44	8.00	7.38
12.00											10.25	9.80	10.00	9.50	9.00	8.44	9.00	8.38

Length Specifications

SOCKET CAP SCREWS



Notes Regarding the Thread Length of Socket Head Cap Screws

•The basic thread lengths (L_T) listed directly below the nominal sizes in the table on the previous page represents the nominal length up to which all screws of that diameter shall be fully threaded.

• To determine the threaded portion of the screws with a nominal length greater than L_T , subtract the minimum design grip length (L_G) from the nominal length (L).

•For screws over 1 in. in diameter and of nominal lengths longer than L_T , the maximum grip gaging length (L_G) and the minimum body length (L_B) of the screws shall be determined as follows:

$$L_G = L - L_T$$

$$L_B = L - L_{TT}$$

Where L : = Nominal length

L_T = Minimum thread length tabulated below

L_{TT} = Maximum total thread length tabulated below

Nominal Size	Min Thread Length (L_T)	Max Total Thread Length (L_{TT})
1 - 1/4	3.12	5.09
1 - 1/2	3.75	6.08