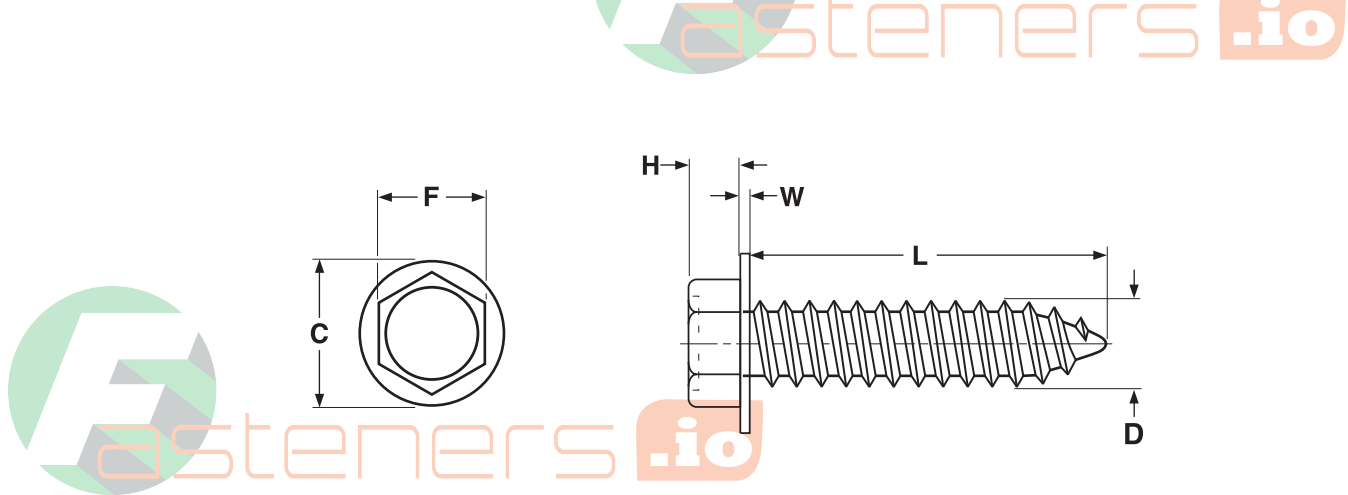


Low Carbon **LAG SCREWS, FULLY THREADED**



FULLY THREADED HEX WASHER LAG SCREWS											
Screw Diameter	Threads per Inch	H		F		C		W		D	
		Head Height		Width Across the Flats		Washer Diameter		Washer Thickness		Major Diameter	
		Max	Min	Max	Min	Max	Min	Max	Min	Max	Min
1/4	10	.190	.172	.437	.429	.625	.610	.060	.050	.260	.237
5/16	9	.230	.200	.437	.429	.625	.610	.060	.050	.324	.298
5/16 High Head	9	.312	.300	.437	.429	.625	.610	.060	.050	.324	.298
Tolerance on Length						+/- .012					

Description	A fully threaded fastener with a spaced thread pitch, tapered point, an an integrally formed hex washer head with an indented top surface.
Applications/ Advantages	Designed specifically for attaching track brackets and flag brackets of garage door assemblies to wooden door jambs.
Material	AISI 1018 or equivalent steel
Plating	Full thread lags are typically supplied in zinc finish.

